

## Glass Railing Systems

### CAP RAIL INSTALLATION

- AX00.030.065.A.SP** (1.66" Round cap rail)  
**AX00.030.071.A.SP** (1.57" Square cap rail)  
**AX00.031.072.R** (Rubber gasket for cap rail)  
**S-2611** (100% Silicone sealant)

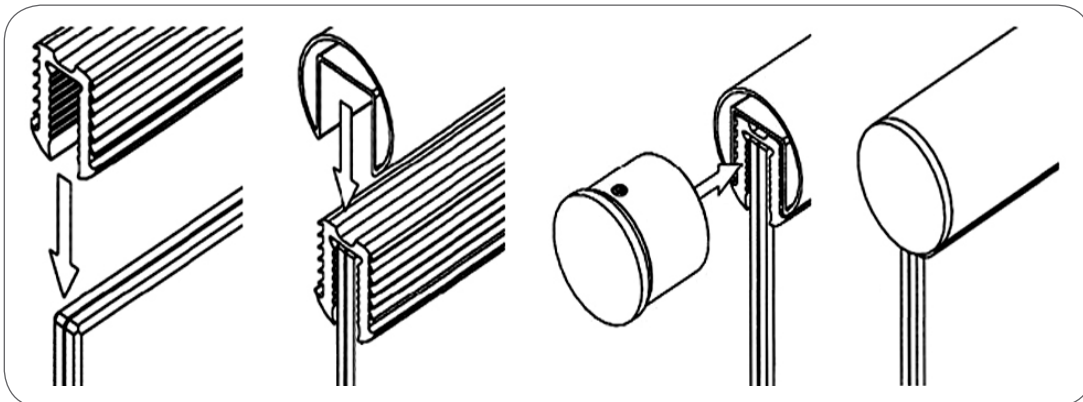
### TOOLS REQUIRED

- Caulking gun
- Stainless Steel Cutting Saw (Cold Cut Saw, Bench top Portable Bandsaw, Chop Saw with Stainless Steel Cutting Blade)

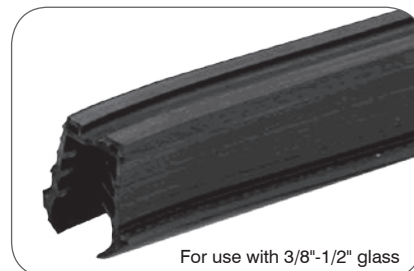
For more detailed information on tools please visit:  
[www.axiarailing.com/recommended-tools](http://www.axiarailing.com/recommended-tools)

### STEPS REQUIRED

1. Measure and cut rubber gasket to length.
2. Apply a bead of clear silicone on top of glass panels and place rubber gasket on top of glass by spreading U and pressing down onto glass working from one end setting the gasket into silicone sealant firmly.



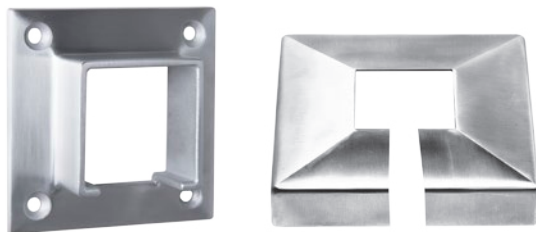
Apply clear silicone to glass before applying gasket, apply on top of gasket also before mounting cap rail.



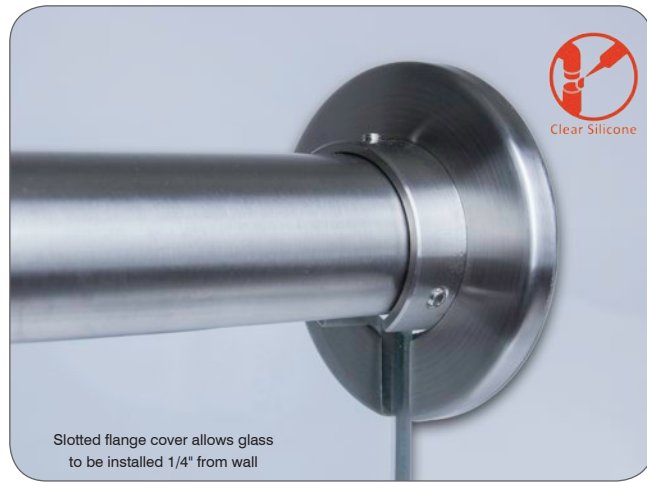
3. Install wall mount flanges in place at any wall terminations, round wall mount flange (and cover) or square wall mount flange (and cover) using 3" Long Stainless-Steel Screws (AX00.091.820.A.SP) into wood structure stainless steel screws. Pre-drill for screws using an 1/8" Bit. If exterior railing, put clear silicone in hole and on screw before installing screws. Apply bead of clear silicone on top and sides of flange at wall to seal water from getting behind the flange. Do not seal the bottom of the flange. Place 3/8 to 1/2 Dollop of silicone on each side of flange and slide cover onto flange, setting it into silicone sealant.



AX00.032.175.A.SP



AX00.032.324.A.SP



4. Cut and fit Cap Rail tubing to fit at each section of railing. Use appropriate 90-degree fitting or adjustable fitting to make handrail continuous. dry fit all railing before gluing fitting together



Anaerobic Adhesive

5. Once all Rail is cut and fitted in place remove rail and glue fittings to Rail tubing using AXIA AX00.100.525 (Green) Anaerobic Adhesive. Place blue tape across joints while glue is drying to keep joints tight together. Place 3/8 bead of clear silicone on top of Rubber Gasket and set handrail on gasket, press down on rail to seat into gasket and firmly set into silicone sealant.

6. Clean all glue and Silicone with Mineral Spirits. Clean all Stainless with Degreaser and Polish

7. If Exterior Railing apply Passivator on Stainless Steel once all is clean and completed.



Scotch Brite Pads

AX00.080.505



Step 1

Degreaser

AX00.080.515



Cloth Rag



Step 2

Cleaner/Polish

AX00.080.510



Cloth Rag



Step 3 (required for exterior)

Polish/Passivator

AX00.080.517