

Post Railing Systems

HANDRAIL INSTALLATION

AX10.004.063.3000.A.SP	(1 11/16" x 9'10" Round Tubing)
AX10.004.065.5800.A.SP	(1 11/16" x 19' Round Tubing)
AX20.004.071.3000.A.SP	(1 9/16" Sq. x 9'10" Square Tubing)
AX20.004.070.5800.A.SP	(1 9/16" Sq. x 19' Square Tubing)

SCREWS

Metal Rail	AX00.091.250.A.SP	(M5 X 12 SS Screws)
Wood Rail	AX00.091.540.A.SP	(M4.8 X 25 SS Wood Screws)

DRILL BITS & TAPS

5MM TAP= DRILL BIT SIZE 4.3MM =	AX00.070.605
6MM TAP= DRILL BIT SIZE 5.2MM =	AX00.070.606
8MM TAP= DRILL BIT SIZE 6.9MM =	AX00.070.608
5/16"-24 TAP= DRILL BIT SIZE LETTER i	AX00.070.650

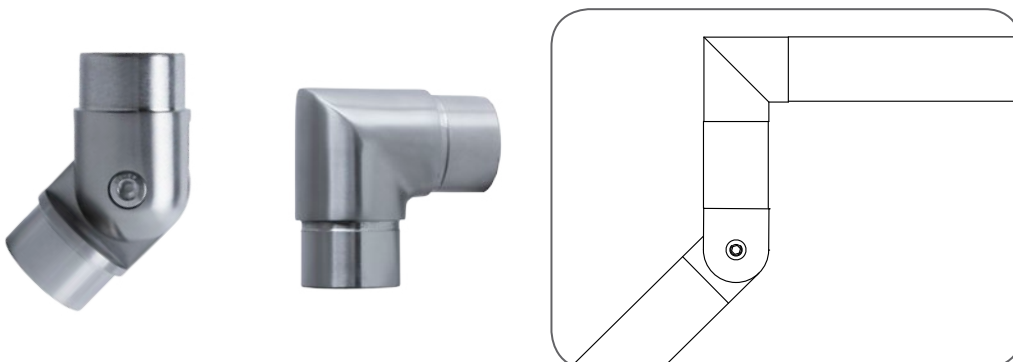
TOOLS REQUIRED

- Cordless or Electric Drill
- Stainless Steel Cutting Saw (Cold Cut Saw, Bench top Portable Bandsaw, Chop Saw with Stainless Steel Cutting Blade)

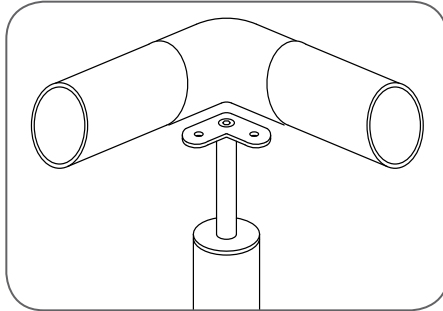
For more detailed information on tools please visit:
www.axiarailing.com/recommended-tools

STEPS REQUIRED

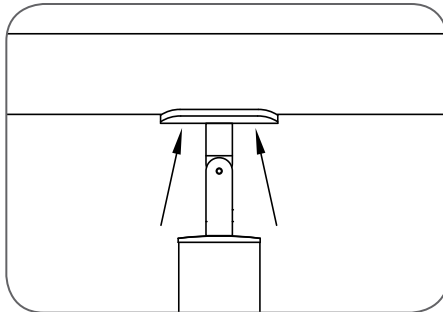
1. Measure and cut desired handrail either metal tubing or wood. When using stainless metal tubing use appropriate rail fittings to make handrail continuous. e.g. 90degree elbow, adjustable angle fitting etc.
2. Where transitioning from stair to balcony / landing and rail height on stairs is 34-38" high and balcony / landing is 42" a gooseneck will need to be installed at the top of the stair section. Using an adjustable angle fitting at the bottom and a 90degree elbow at the top to create the "Gooseneck" (see fig.)



3. Use Clamps to hold rail sections in place until entire rail is secured. Be sure to protect tubing from damage from clamps (See fig)



4. Once the handrail is cut and is in desired configuration and all is straight and level mark holes on bottom of rail at rail support saddles using a fine point sharpie pen. (see fig.)



5. Once all holes are marked, remove handrail from posts and turn over handrail to drill holes with appropriate drill bit (4.3mm bit) for 5mm Tap. Drill all holes (see drilling holes in stainless) apply three or four drops of cutting fluid before drilling and while drilling holes. (start drilling with 1/8" Drill bit)

6. Tap hole with 5mm tap. Apply cutting fluid before using tap. Again, make sure hole is free of any burrs sticking out etc. Repeat for entire handrail sections.

7. Install handrail by using clamps once again to clamp handrail to post while installing. Install 5mm screws in rail support saddles, apply thread lock adhesive on screws before installing. Tighten snug but do not overtighten or you could possibly strip out the threads.

8. Install appropriate rail fittings as you are installing the handrail sections. Using "witness" mark across edge of fitting and tubing with Sharpie marker to install fitting in appropriate orientation. Apply anaerobic adhesive on fitting section that goes inside the tube liberally and install fitting. Be sure to realign "witness" mark and tape with blue painter's tape across joint until dry.

9. Install appropriate Wall Mount Flange where rail terminates into wall using flange and screws. Apply two large dollops of clear silicone on top of flange to secure flange cover to flange to keep tight to wall.

8. Install appropriate rail fittings as you are installing the handrail sections. Using “witness” mark across edge of fitting and tubing with Sharpie marker to install fitting in appropriate orientation. Apply anaerobic adhesive on fitting section that goes inside the tube liberally and install fitting. Be sure to realign “witness” mark and tape with blue painter’s tape across joint until dry.



9. Install appropriate Wall Mount Flange where rail terminates into wall using flange and screws. Apply two large dollops of clear silicone on top of flange to secure flange cover to flange to keep tight to wall.

Wall mount flange



Adjustable wall mount flange



Flange Cover

